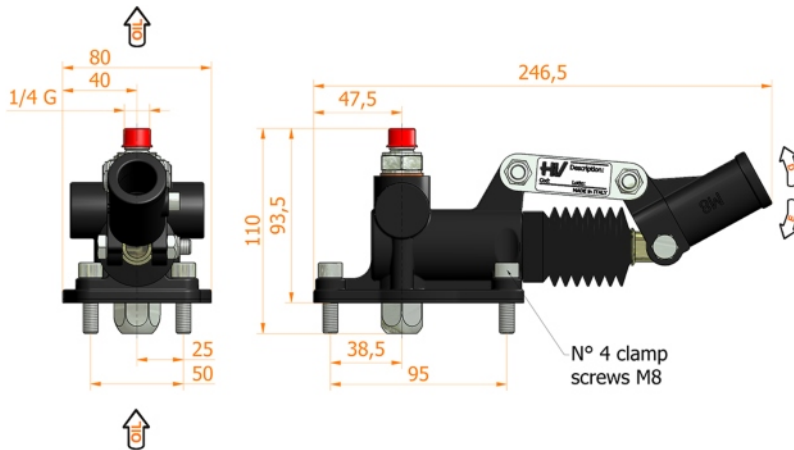
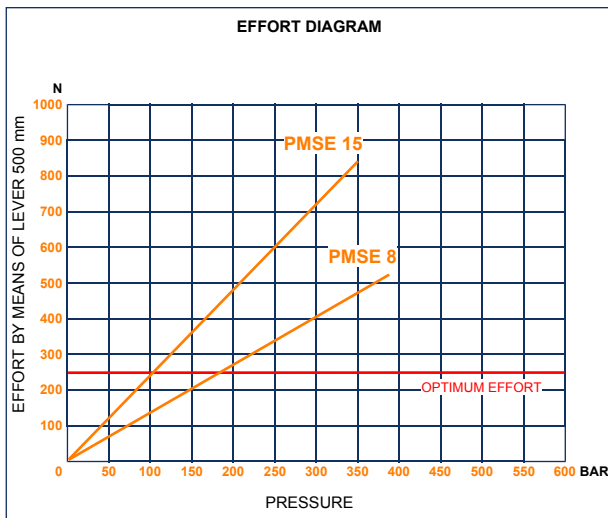




# PMSE 8-15 e-s

without release hand knob  
single acting hand pump for a single acting cylinder  
for fixing to tank



**Specifications:**

- Cast iron body
- Piston treated with Niploy
- Iron cast support lever
- Lever connection Ø 20
- White zinc plated external parts
- Standard colour black
- Oil tank mounting kit included

| DISPLACEMENT<br>cm <sup>3</sup> | A<br>mm | B<br>mm | C<br>mm | D<br>° | E<br>° | ACTUAL<br>DISPLACEMENT<br>cm <sup>3</sup> | PRESSURE BAR |     | MASS<br>KG | CODE<br>WITHOUT<br>BELLOWS | CODE<br>WITH<br>BELLOWS |
|---------------------------------|---------|---------|---------|--------|--------|---|--------------|-----|------------|----------------------------|-------------------------|
|                                 |         |         |         |        |        |   | OPTIMAL      | MAX |            |                            |                         |
| 8                               | --      | --      | --      | 30     | 26     | 8,042                                     | 180          | 380 | 3,200      | 6065.0012                  | 6065.0039               |
| 15                              | --      | --      | --      | 30     | 26     | 15,205                                    | 110          | 350 | 3,200      | 6066.0012                  | 6066.0039               |
|                                 |         |         |         |        |        |   |              |     |            |                            |                         |
|                                 |         |         |         |        |        |   |              |     |            |                            |                         |
|                                 |         |         |         |        |        |   |              |     |            |                            |                         |